

PRECINTO

PIOMBINI

The plastic plumbs sinkers have been produced based exactly on the traditional lead RoHS ones.

(prohibited by RoHS: Restriction of hazardous substances)

Piombini can be used with: traditional spiral, safety spiral, customs string, traditional string.

Aplicaciones:

- Utilities /Taxímetros
- Servicios postales
- Sector químico y alimentario
- Retail
- Agricultura
- Hotel

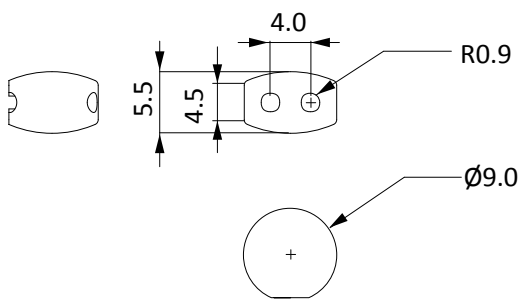


PREVENTION · PROTECTION · PEACE OF MIND

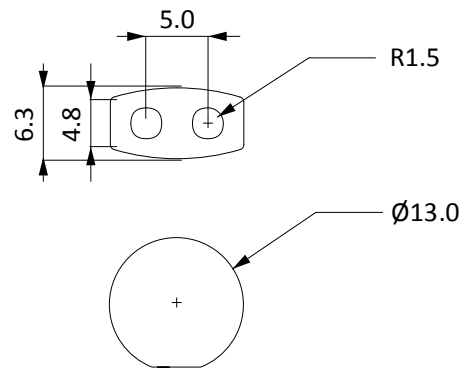




Version Ø9



Version Ø13



ESPECIFICACIONES TÉCNICAS

PRODUCTO - PIOMBINI

Code	Material	Version Ø9	Version Ø13	Marking Area	Max Marking Digits
PIOMBINI	Plástico	Ø 9 mm (0.35 in)	Ø 13 mm (0.51 in)	N/A	N/A

PACKAGING

Caja	Cantidad	Dimensiones (mm)	Peso bruto(kg)
Inner Ø9	10,000	280 x 220 x 110 (11.0 x 8.7 x 4.3in)	2.3
Inner Ø13	5000	370 x 260 x 150 (14.6 x 10.2 x 5.9 in)	5.3

Standard Colours



Fecha actualización: 25/07/2023